

### EN installation instruction

Please read and understand all of the directions, before starting luminaire installation. Keep this instruction for future use.

### LT Montavimo instrukcija

Prieš pradėdami šviestuvų montavimą, perskaitykite ir supraskite visus nurodymus. Išsaugokite šią instrukciją ateities naudojimui.

### LV Instalācijas intrukcija

Lūdzu, izlasiet un saprotiet visus norādījumus, pirms sākt gaismekļa uzstādīšanu. Saglabājiet šos norādījumus turpmākai lietošanai.

### ET Paigaldusjuhised

Palun lugege ja mõista kõik juhised enne valgusti paigaldamist. Järgige neid juhiseid tulevaseks kasutamiseks.

### DE Montageanleitung

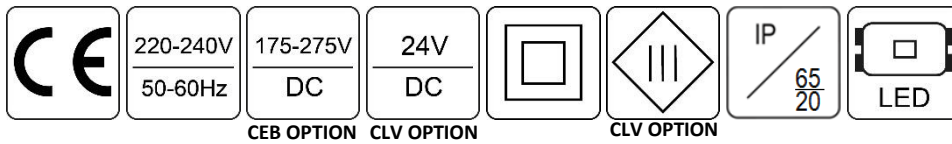
Bitte lesen und verstehen Sie alle Anweisungen, bevor Sie mit der Installation der Leuchte beginnen. Bewahren Sie diese Anweisungen zur zukünftigen Verwendung auf.

### RU Инструкция по установке

Прочитайте и поймите все направления, прежде чем приступать к установке светильника. Сохраните эти инструкции для будущего использования.

### PL Instrukcja montażu

Proszę przeczytać i zrozumieć wszystkie wskazówki, przed rozpoczęciem instalacji oprawy oświetleniowej. Zachowaj te instrukcje do przyszłego użytku.



**1**

ESCAPE ROUTE

OPEN AREAS

**2**

I → O

**3**

ESCAPE ROUTE

OPEN AREAS

**4**

x4

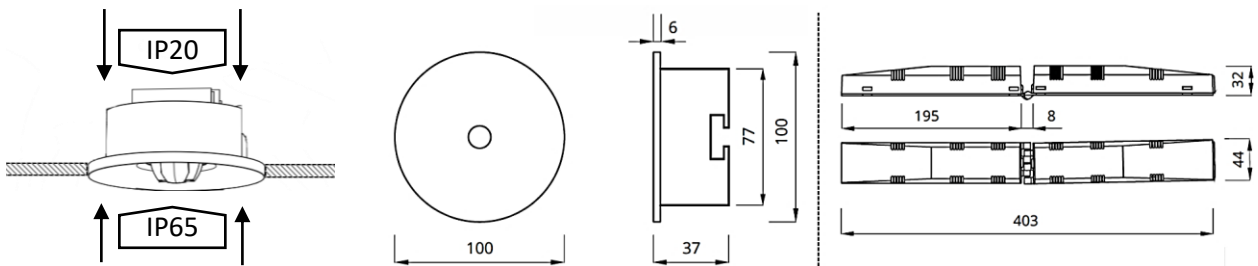
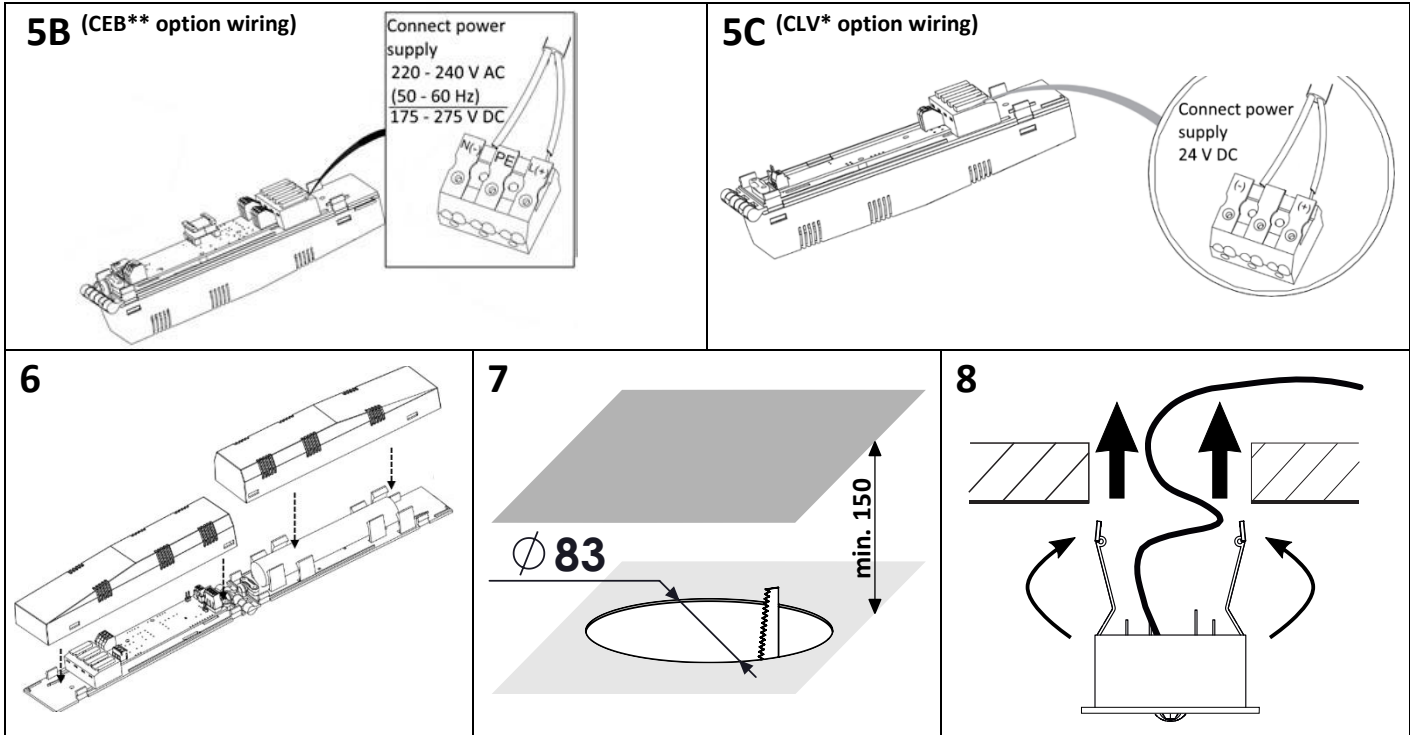
**5A (DEFAULT WIRING)**

Connect battery

Connect power supply 220 - 240 V AC (50 - 60 Hz)

N L1 L

Cable L1 is only required for luminaire with maintained illumination mode



**Attention!**

- Make sure battery is connected with proper polarisation.
- Mains supply should only be connected after the battery is connected to the inverter.
- Make sure the cable shield is properly isolated.
- In a fitting the cable L and L1 is required for the maintained mode, the non-maintained mode does not require L1 cable.

\*CLV option - Fitting to low voltage central battery system CEBLV.

\*\*CEB option - The fitting is equipped with electronic AC/DC ballast compatible with any central battery system.

**Description of LED indicator signals:**

LP.	Color of LED indicator shining	Light source	Description
1	G R G R G	any	Confirmation of the reset of timer or errors (AT)
2		shining	Emergency mode
3		not shining	Standby mode
4	R R	any	Communication error (only RS)
5	R	any	Battery error
6	R	any	Light source or electronics error
7	Error indication or not shining	shining	Performing test or mains mode
8	Error indication or not shining	any	No battery
9	G	not shining	Battery loading
10	G	not shining	Standby mode (battery full)
11	R R G	not shining	Too much output power for this battery capacity

**R- RED; G - GREEN**

**CHARACTERISTICS:**

- Supply voltage: 220 - 240VAC/50 - 60Hz, 175 - 275VDC, 24VDC
- Charge time – 12 hours
- Network power supply and battery charge LED indicator
- Ni-MH batteries
- Insulation class II (III with CLV option)
- Protection level: IP 65 (Front), IP 20 (Back)
- Ambient temperature: 0°C to +40°C
- Electronic protection against complete battery discharge
- Compatibility with standard specifications PN-EN 60598, PN-EN 1838

**TECHNICAL SPECIFICATIONS:**

- Light source LED 1 W, 3W
- Emergency operation time 1, 3h
- Battery life max. 4 years

**Materials:**

- White PC body,

**Mounting:**

- Ceiling

**The light source of this luminaire is not replaceable; when the light source reaches its end of life the whole luminaire shall be replaced.**



IMPORTANT INFORMATION FOR CORRECT DISPOSAL OF THE PRODUCT IN ACCORDANCE WITH EC DIRECTIVE 2002/96/EC.

At the end of its working life, the product must not be disposed of as urban waste. It must be taken to a special local authority differentiated waste collection centre or to a dealer providing this service.

Disposing of a household appliance separately avoids possible negative consequences for the environment and health, deriving from inappropriate disposal and enables the constituent materials to be recovered to obtain significant savings in energy and resources. As a reminder of the need to dispose of household appliances separately, the product is marked with a crossed-out wheeled dustbin.

